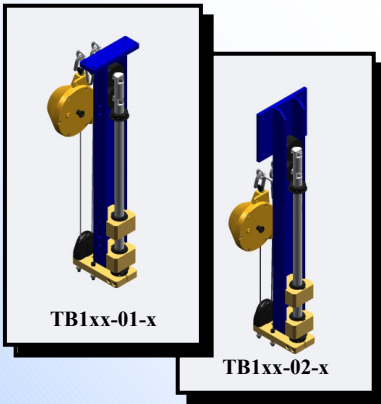


Light Duty Torque Tube Features

Jomat Industries' line of light duty torque tubes integrates function and safety, designed to be both visually and economically appealing. Semi-modular designs with interchangeable parts improve delivery time as well as service and maintenance

requirements. It also allows easy selection of torque tube parameters based on specific applications. Several torque tube series provide a family of products that will accommodate almost any application.

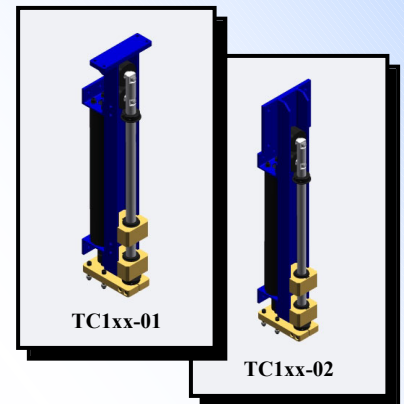
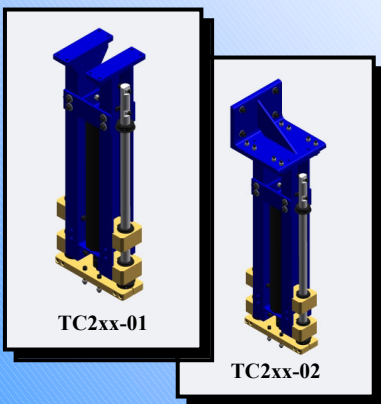
MECHANICALLY BALANCED TORQUE TUBES



Ideal for light applications where it is not cost effective or desirable to run an air supply. Equipped with a mechanical spring balancer that provides stepless load adjustment for a perfect balance. These units are an excellent accommodation for light electric tool applications such as production line nut-runners. Two mounting flange styles are available for application versatility. Adjustable stops can be positioned to set a range of up-down travel if full stroke is not required. Precision hardened and ground shafts and linear ball bearings provide smooth reliable operation, with dual guide wheels for torque applications. Standard stroke lengths are 12", 18" and 24". Maximum torque rating of 75 Nm (55 lbf ·ft). Lifting and torque capacities are shown in the table opposite this page.

PNEUMATICALLY BALANCED TORQUE TUBES

Structurally, these units are very similar in design to the mechanically balanced torque tubes. The exception is that a regulated pneumatic cylinder provides the balancing to achieve a zero-gravity effect. A low friction cylinder used in conjunction with a stepless, adjustable, high flow regulator provides a perfect balance for a large range of lifting applications. These units are ideal for applications where higher lifting capacities are required. Additionally, the pneumatically balanced torque tubes are available with dual guide shafts for increased torque rating. Standard stroke lengths are 12", 18" and 24". Maximum torque rating of 75 Nm (55 lbf ·ft) for single guided units, and 200 Nm (150 lbf ·ft) for double guided units. Lifting and torque capacities are shown in the table opposite this page.

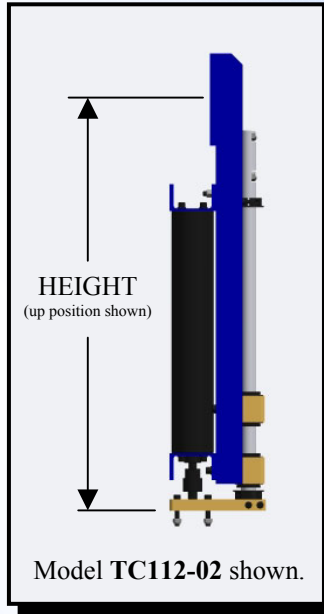
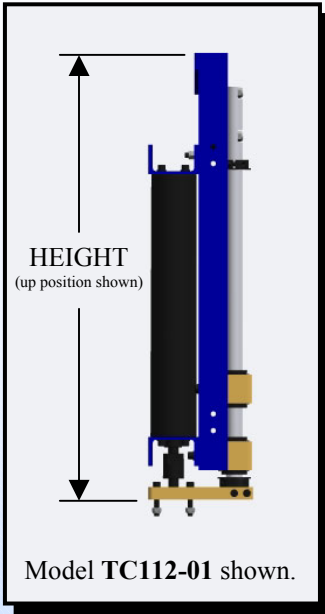


Jomat Industries
181 Shafer Drive
Romeo, Michigan 48065
Bus: (586) 336-1801
Fax: (586) 336-1811
www.jomat.com



Our address has changed.
131 McLean, Romeo, Michigan 48065

Model Selection Sheet



EXAMPLES: Model number for a 12" stroke pneumatic cylinder operated torque tube with a single guide shaft, and flange mount option (shown left) TC112-01. The model number for the same unit but with a side mount option instead would be TC112-02 (shown right).

BALANCER

C = pneumatic cylinder
B = mechanical spring balancer

GUIDE SHAFTS ¹

1 = single, light duty
2 = dual, light duty

STROKE ²

12, 18 and 24 inch are standard.

MOUNTING STYLE

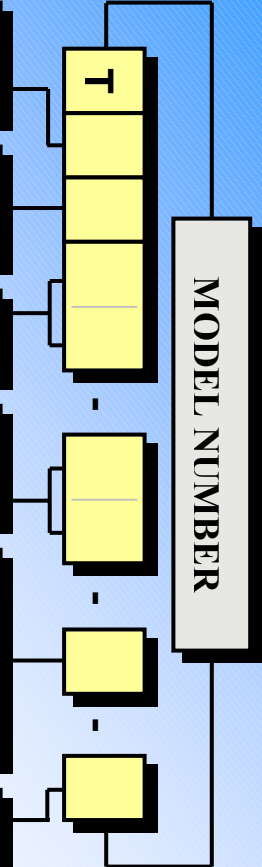
01 = flange mount
02 = side mount

LOAD RANGE ³

3 = see chart below
4 = see chart below
5 = see chart below
NOTE: Leave blank for pneumatically balanced units.

METRIC CONVERSION ⁴

M = metric fasteners



MODEL NUMBER SERIES	BALANCER TYPE	GUIDE SHAFTS ¹	STROKE ²		TORQUE RATING		HEIGHT	
			in.	lb _r	lbf-ft	Nm	(up position) in.	(down position) in.
TB112-zz-3	mechanical	single	12	3.42 – 8.72	55	75	26 ¾	38 ¾
TB112-zz-4	mechanical	single	12	8.72 – 14.76	55	75	26 ¾	38 ¾
TB112-zz-5	mechanical	single	12	14.76 – 20.56	55	75	26 ¾	38 ¾
TB118-zz-3	mechanical	single	18	2.04 – 7.34	55	75	32 ¾	44 ¾
TB118-zz-4	mechanical	single	18	7.34 – 13.38	55	75	32 ¾	44 ¾
TB118-zz-5	mechanical	single	18	13.38 – 19.18	55	75	32 ¾	44 ¾
TB124-zz-3	mechanical	single	24	0.66 – 5.96	55	75	38 ¾	50 ¾
TB124-zz-4	mechanical	single	24	5.96 – 12.00	55	75	38 ¾	50 ¾
TB124-zz-5	mechanical	single	24	12.00 – 17.80	55	75	38 ¾	50 ¾
TC1xx-01	pneumatic	single	12, 18 or 24	125	55	75	stroke + 14 ¾	2 x stroke + 14 ¾
TC1xx-02	pneumatic	single	12, 18 or 24	125	55	75	stroke + 14 ¾	2 x stroke + 14 ¾
TC2xx-01	pneumatic	dual	12, 18 or 24	200	150	200	stroke + 14 ¾	2 x stroke + 14 ¾
TC2xx-02	pneumatic	dual	12, 18 or 24	200	150	200	stroke + 17 ¾	2 x stroke + 17 ¾

¹ Dual guide shafts are only available for pneumatically balanced models. ² Custom stroke lengths are available upon request (may not apply to all models). ³ Load range applies to mechanically balanced torque tubes only, and is based on the required stroke. ⁴ Metric specifications may vary slightly. ⁵ Load rating is based on the applied load being directly beneath the lifting device. For mechanically balanced models it is best to select a unit that will operate at the higher end of the load range.